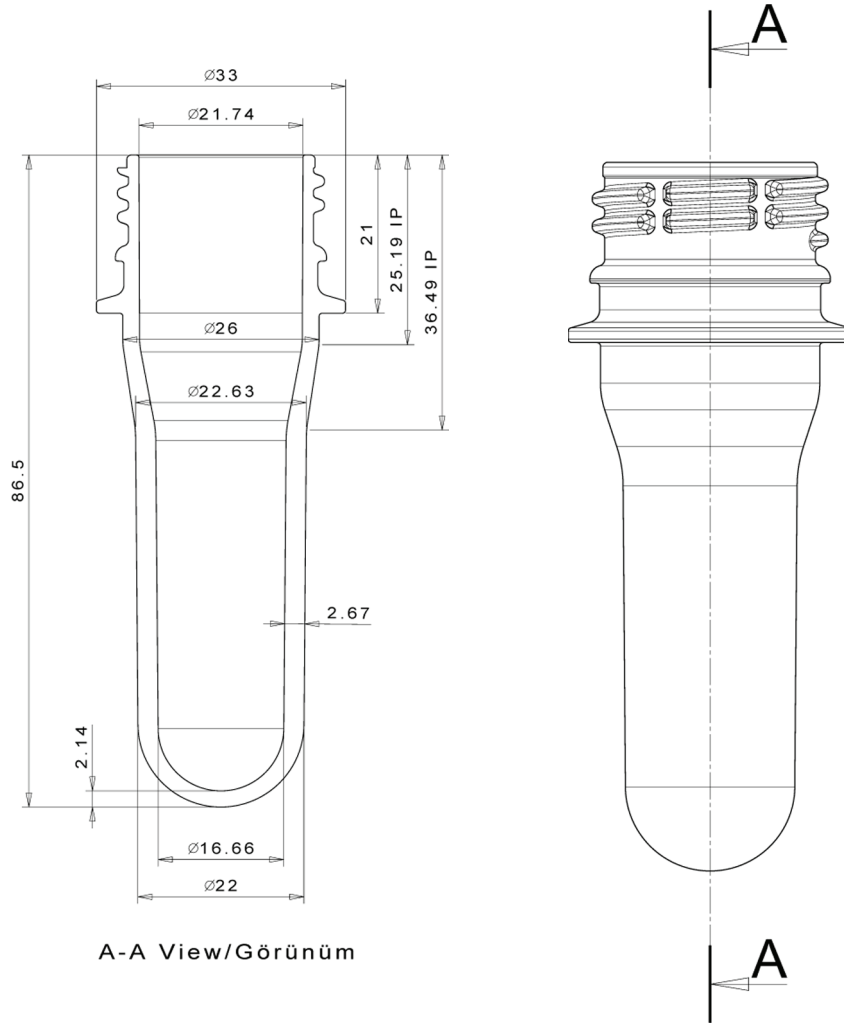




103606

28 PCO 1810, 19 gram; PET Preform, Clear
K.G. International - sales@kgint.com - +1 305 499-9816



A-A View/Görünüm



| | |
|----------|-----------------|
| SCALE | 1/1 (mm) |
| MATERIAL | PET |
| WEIGHT | 19,00 ± 0,25 gr |
| QUALITY | ISO EN 9001 |